



MIAMI-DADE COUNTY, FLORIDA  
METRO-DADE FLAGLER BUILDING  
140 WEST FLAGLER STREET, SUITE 1603  
MIAMI, FLORIDA 33130-1563  
(305) 375-2901 FAX (305) 375-2908

BUILDING CODE COMPLIANCE OFFICE (BCCO)  
PRODUCT CONTROL DIVISION

## NOTICE OF ACCEPTANCE (NOA)

Moulding Associates, Inc.  
933 Hensley Lane  
Wylie, TX 75098

### SCOPE:

This NOA is being issued under the applicable rules and regulations governing the use of construction materials. The documentation submitted has been reviewed by Miami-Dade County Product Control Division and accepted by the Board of Rules and Appeals (BORA) to be used in Miami Dade County and other areas where allowed by the Authority Having Jurisdiction (AHJ).

This NOA shall not be valid after the expiration date stated below. The Miami-Dade County Product Control Division (In Miami Dade County) and/or the AHJ (in areas other than Miami Dade County) reserve the right to have this product or material tested for quality assurance purposes. If this product or material fails to perform in the accepted manner, the manufacturer will incur the expense of such testing and the AHJ may immediately revoke, modify, or suspend the use of such product or material within their jurisdiction. BORA reserves the right to revoke this acceptance, if it is determined by Miami-Dade County Product Control Division that this product or material fails to meet the requirements of the applicable building code.

This product is approved as described herein, and has been designed to comply with the High Velocity Hurricane Zone of the Florida Building Code.

**DESCRIPTION:** Series "Elan, St. Charles or Delta" 8'0 Outswing Glazed Wood Door w/Sidelites

**APPROVAL DOCUMENT:** Drawing No. S-2225, dated 03/26/02, with revision #1 dated 07/09/02, titled "Stile & Rail 6'8 & 8'0 Glazed Wood Door Out-Swing Unit", sheets 1 through 9, prepared by R. W. Building Consultants, Inc., bearing the Miami-Dade County Product Control Approval stamp with the Notice of Acceptance number and approval date by the Miami-Dade County Product Control Division.

**MISSILE IMPACT RATING:** None

**LABELING:** Each unit shall bear a permanent label with the manufacturer's name or logo, city, state and following statement: "Miami-Dade County Product Control Approved", unless otherwise noted herein.

**RENEWAL** of this NOA shall be considered after a renewal application has been filed and there has been no change in the applicable building code negatively affecting the performance of this product.

**TERMINATION** of this NOA will occur after the expiration date or if there has been a revision or change in the materials, use, and/or manufacture of the product or process. Misuse of this NOA as an endorsement of any product, for sales, advertising or any other purposes shall automatically terminate this NOA. Failure to comply with any section of this NOA shall be cause for termination and removal of NOA.

**ADVERTISEMENT:** The NOA number preceded by the words Miami-Dade County, Florida, and followed by the expiration date may be displayed in advertising literature. If any portion of the NOA is displayed, then it shall be done in its entirety.

**INSPECTION:** A copy of this entire NOA shall be provided to the user by the manufacturer or its distributors and shall be available for inspection at the job site at the request of the Building Official. This NOA consists of this page 1 as well as approval document mentioned above. The submitted documentation was reviewed by Manuel Perez, P.E.



NOA No 02-0524.08  
Expiration Date: September 12, 2007  
Approval Date: September 12, 2002  
Page 1

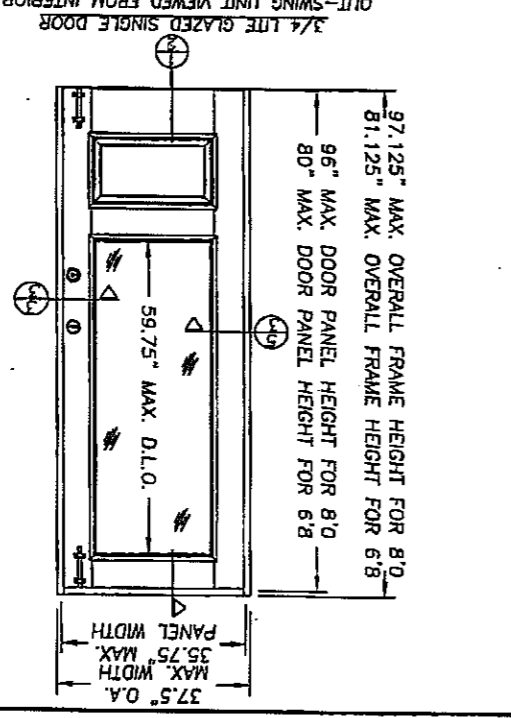
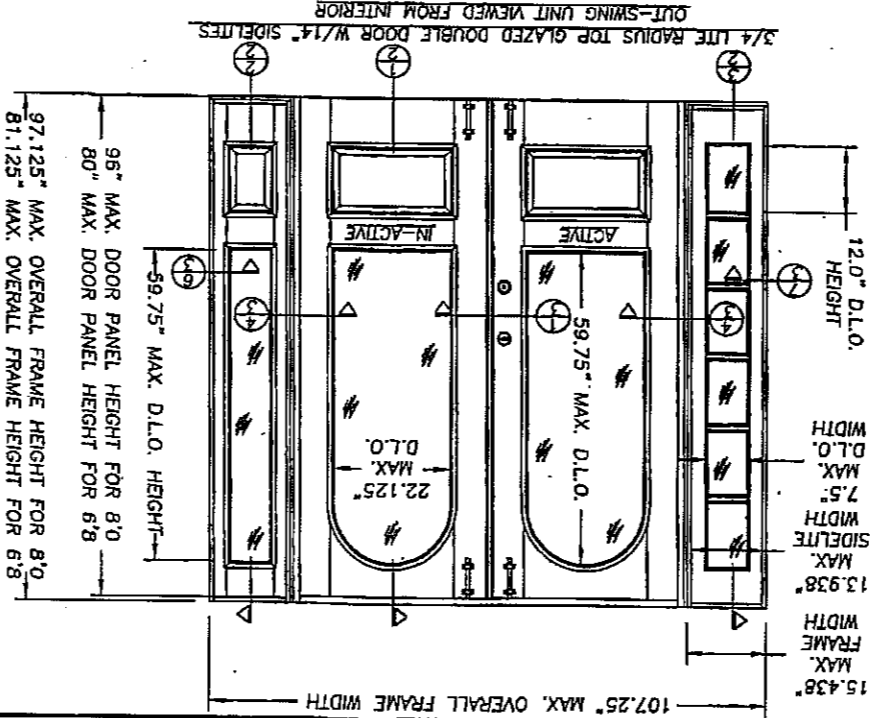
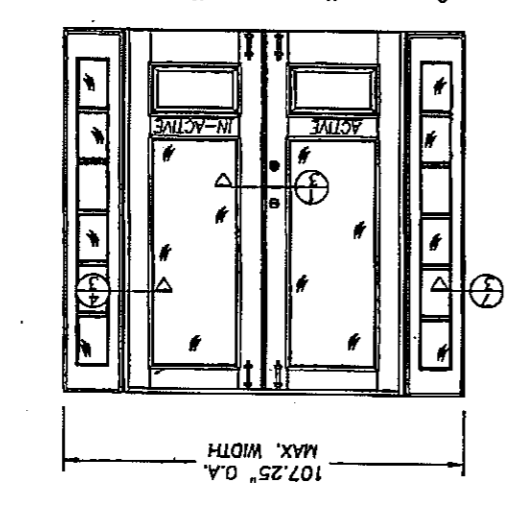
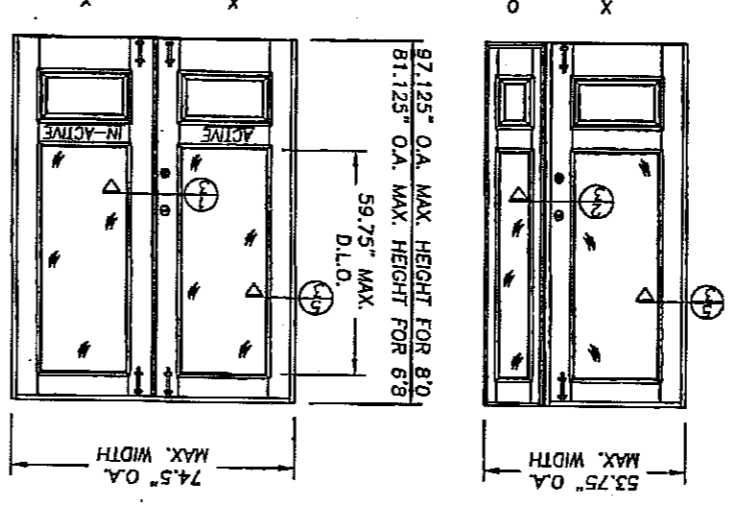
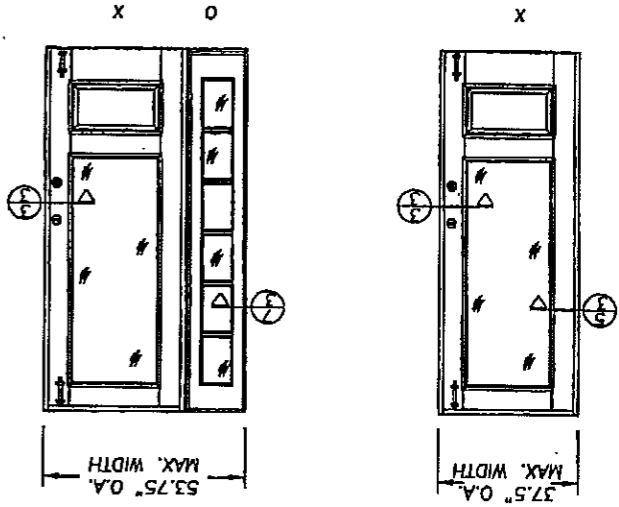
**"ELIAN, ST. CHARLES OR DELTA SERIES"**  
**MOULDING ASSOCIATES**  
 STILE & RAIL GLAZED WOOD DOOR  
 UP TO 84" X 80" OUTSWING WITH & WITHOUT SIDELITES

- GENERAL NOTES**
1. THIS PRODUCT IS DESIGNED TO COMPLY WITH THE FLORIDA BUILDING CODE.
  2. WOOD BUCKS BY OTHERS, MUST BE ANCHORED PROPERLY TO TRANSFER LOADS TO THE STRUCTURE.
  3. PRODUCT ANCHORS SHALL BE AS LISTED AND SPACED AS SHOWN ON DETAILS. ANCHOR EMBEDMENT TO BASE MATERIAL SHALL BE BEYOND WALL DRESSING OR STUCCO.
  4. DESIGNED PRESSURE RATING SEE TABLE PAGE 1.
  5. THIS PRODUCT MEETS THE WATER REQUIREMENTS FOR "HIGH VELOCITY HURRICANE ZONES" WITH THE USE OF THE HIGH DAM BUMP THRESHOLD.
  6. THIS SYSTEM REQUIRES WINDBORNE DEBRIS EXTERNAL PROTECTION AS PRESCRIBED IN SECTION 2413 OF THE FLORIDA BUILDING CODE.

SHEET #	DESCRIPTION
1	TYPICAL ELEVATIONS & GENERAL NOTES
2	VERTICAL CROSS SECTIONS
3	HORIZONTAL CROSS SECTIONS
4	ANCHORING LOCATIONS & DETAILS
5	3/4 LITE DOOR STILE & RAIL DETAIL
6	3/4 LITE RADIUS TOP DOOR STILE & RAIL DETAIL
7	SIDELITE STILE & RAIL DETAIL
8	BILL OF MATERIALS, UNIT COMPONENTS & GLAZING DETAILS

DESIGN PRESSURE RATING (WHERE WATER INFILTRATION REQUIREMENT IS NEEDED)

UNIT TYPE	WITH SURFACE BOLTS ON INACTIVE PANEL ONLY	WITH SURFACE BOLTS ON INACTIVE & ACTIVE PANEL
SINGLE	+ 67.0 PSF - 67.0 PSF	+ 67.0 PSF - 67.0 PSF
DOUBLE	+ 47.0 PSF - 47.0 PSF	+ 47.0 PSF - 67.0 PSF
SINGLE & DOUBLE WITH SIDELITES	+ 47.0 PSF - 47.0 PSF	+ 67.0 PSF - 67.0 PSF



Approved as complying with the Florida Building Code  
 Date: **SEPT. 13, 2007**  
 NOAH **02-052408**  
 Minimal Data Product Control  
 Division  
 By: *Michael J. ...*


DATE: 3/26/02  
 SCALE: N.T.S.  
 DWD. BY: WLN  
 CHK. BY: RW  
 DRAWING NO.: S-2225  
 SHEET 1 of 9

**MOULDING ASSOCIATES INC.**  
 BUILDING CONSULTANTS, INC.  
 813.684.3831

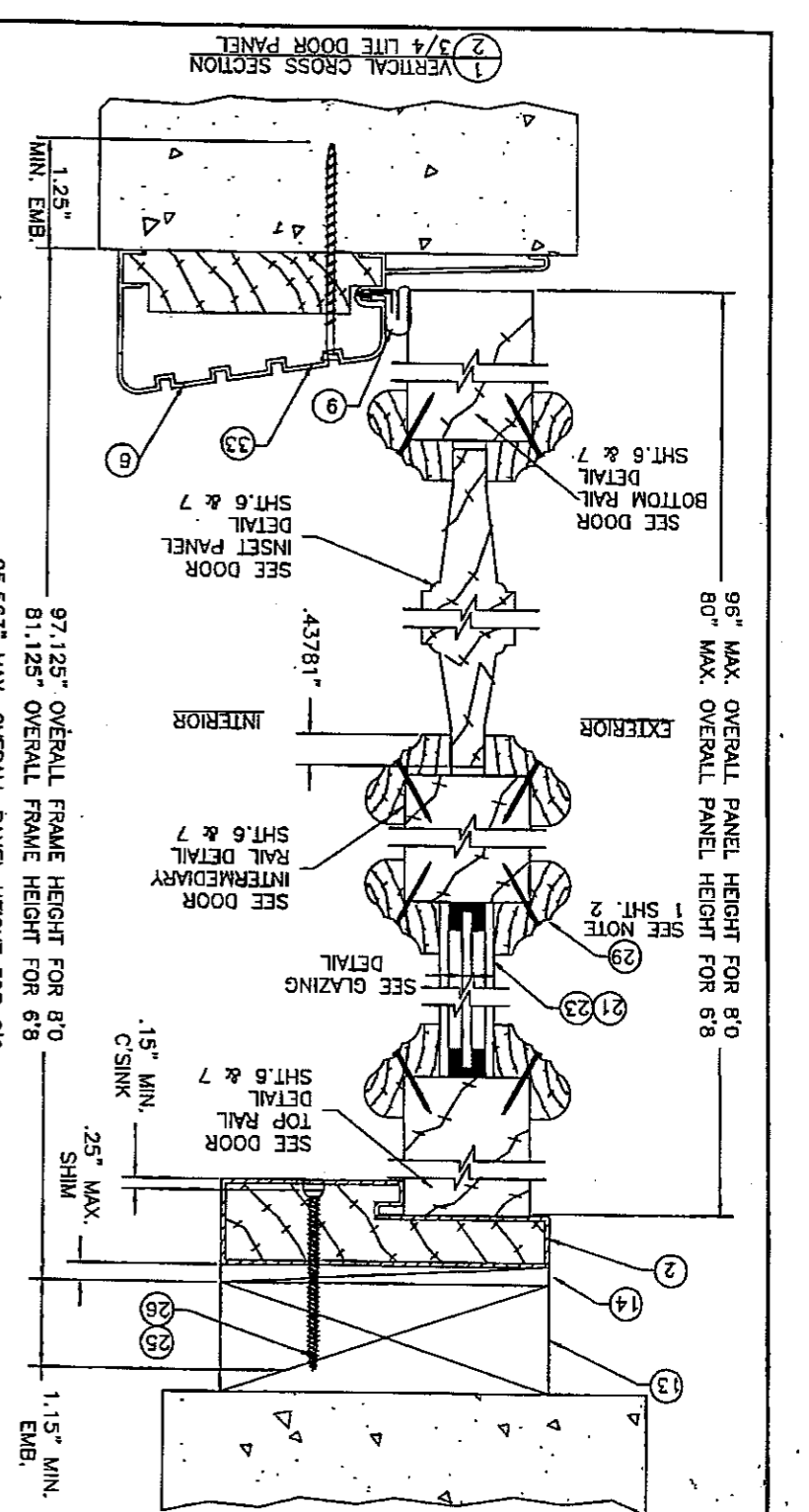
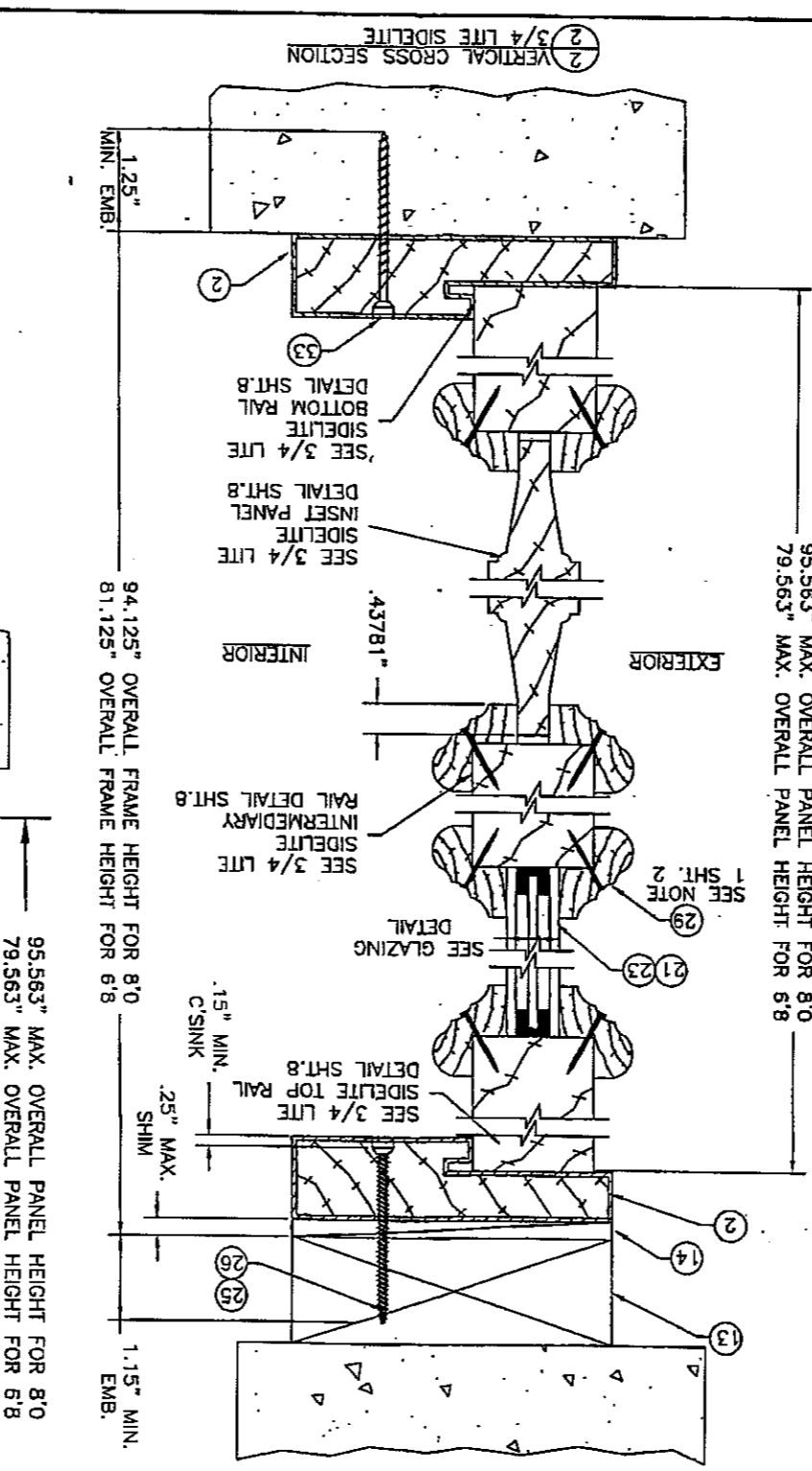
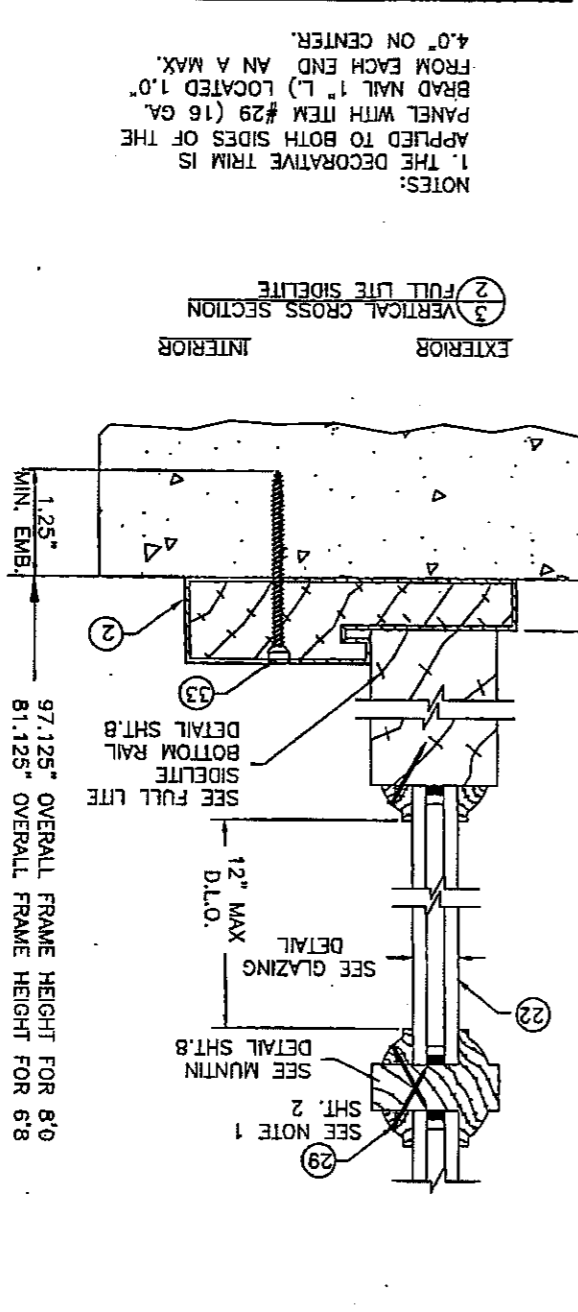
NO.	DATE	GENERAL REVISION	WLN	BY
1	7/9/02			

**PRODUCT:**  
 STILE & RAIL  
 6" & 8" & 9" GLAZED  
 WOOD DOOR OUT-SWING UNIT  
 PART OR ASSEMBLY:  
 TYPICAL ELEVATIONS  
 & GENERAL NOTES

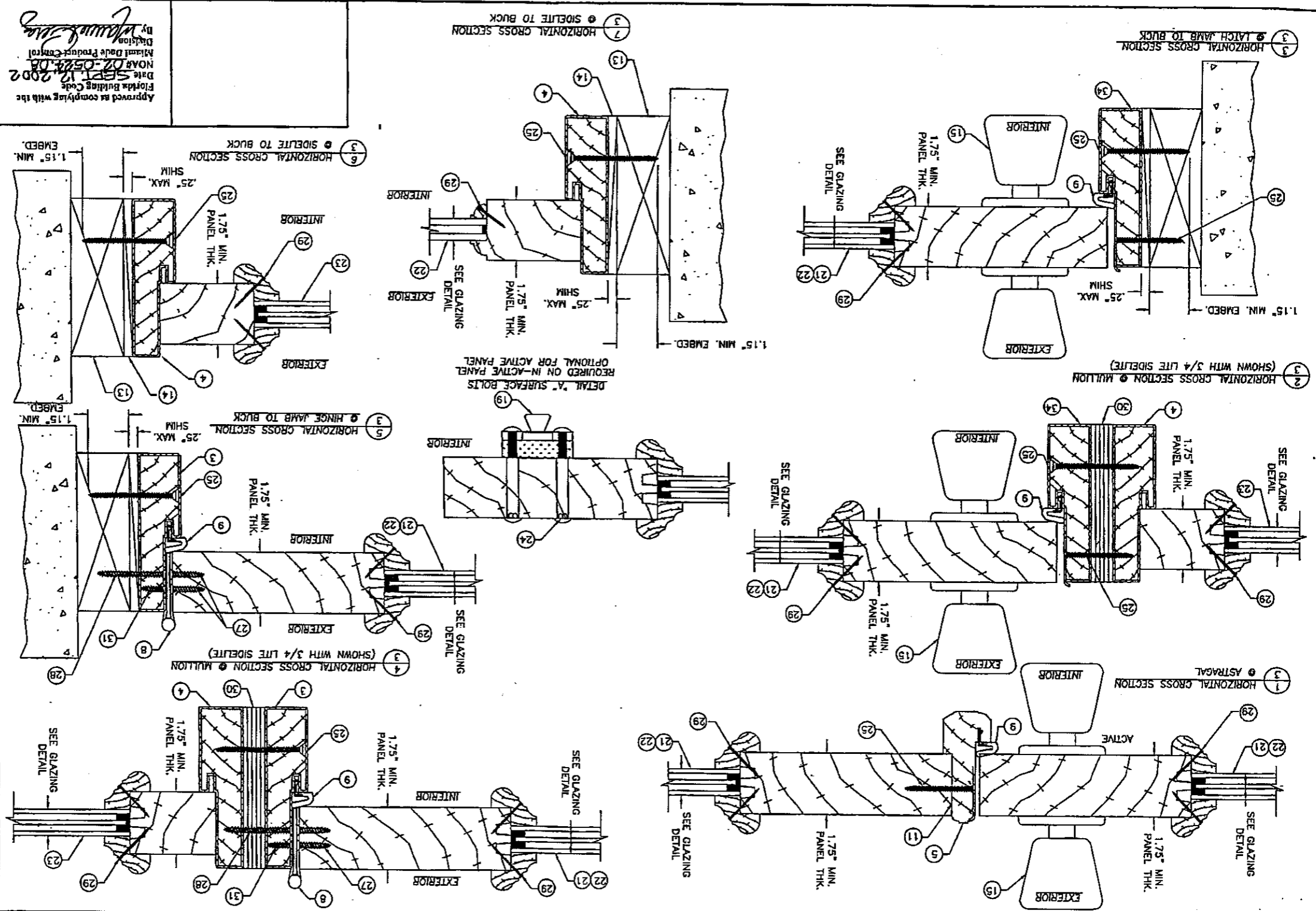
**MOULDING ASSOCIATES INCORPORATED**  
 933 HENSLEY LANE  
 WYLE, TX 75098  
 PHONE: 800.394.6680

 <p><b>MOULDING ASSOCIATES INCORPORATED</b> 933 HENSLEY LANE WYLLIE, TX 75098 PHONE: 800.394.6680</p>		<p>PRODUCT: STILE &amp; RAIL 6"8 OR 8"0 GLAZED WOOD DOOR OUT-SWING UNIT</p>		<p>PART OR ASSEMBLY: VERTICAL CROSS SECTIONS</p>		<p>DATE: 3/26/02 SCALE: N.T.S. DWG. BY: WLN CHK. BY: RW DRAWING NO.: S-2225</p>									
<p>REVISIONS</p> <table border="1"> <tr> <th>NO.</th> <th>DATE</th> <th>BY</th> <th>GENERAL REVISION</th> </tr> <tr> <td>1</td> <td>7/9/02</td> <td>WLN</td> <td></td> </tr> </table>		NO.	DATE	BY	GENERAL REVISION	1	7/9/02	WLN		<p>813.684.3831 BUILDING CONSULTANTS, INC.</p>		<p>DATE: 3/26/02 SCALE: N.T.S. DWG. BY: WLN CHK. BY: RW DRAWING NO.: S-2225</p>		<p>SHEET 2 OF 9</p>	
NO.	DATE	BY	GENERAL REVISION												
1	7/9/02	WLN													

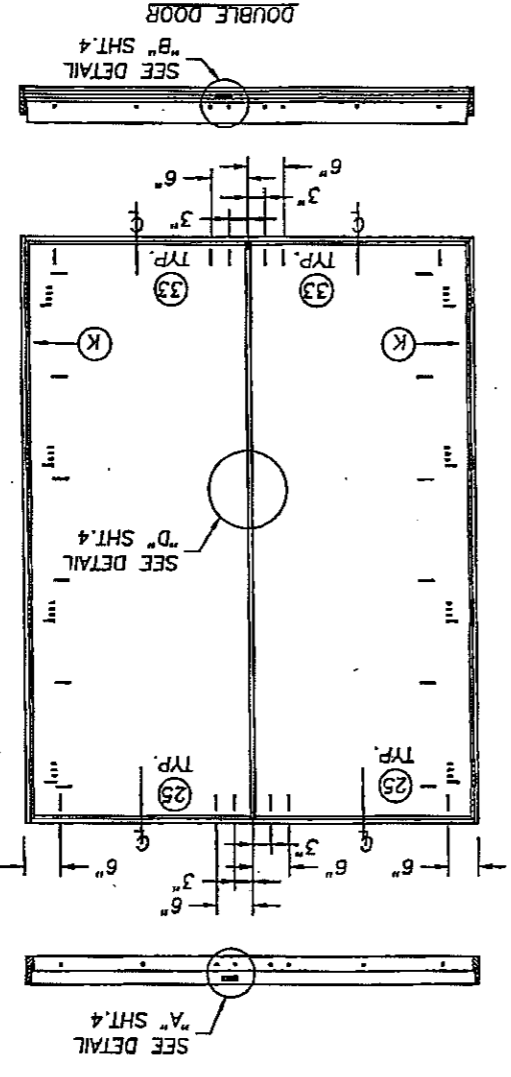
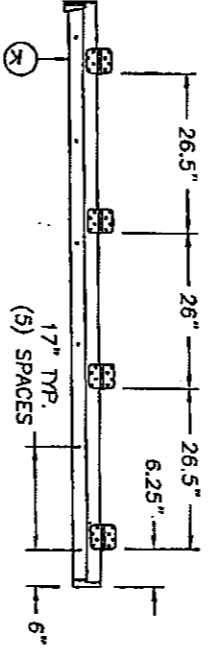
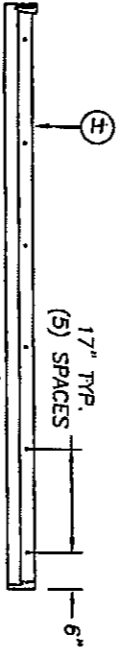
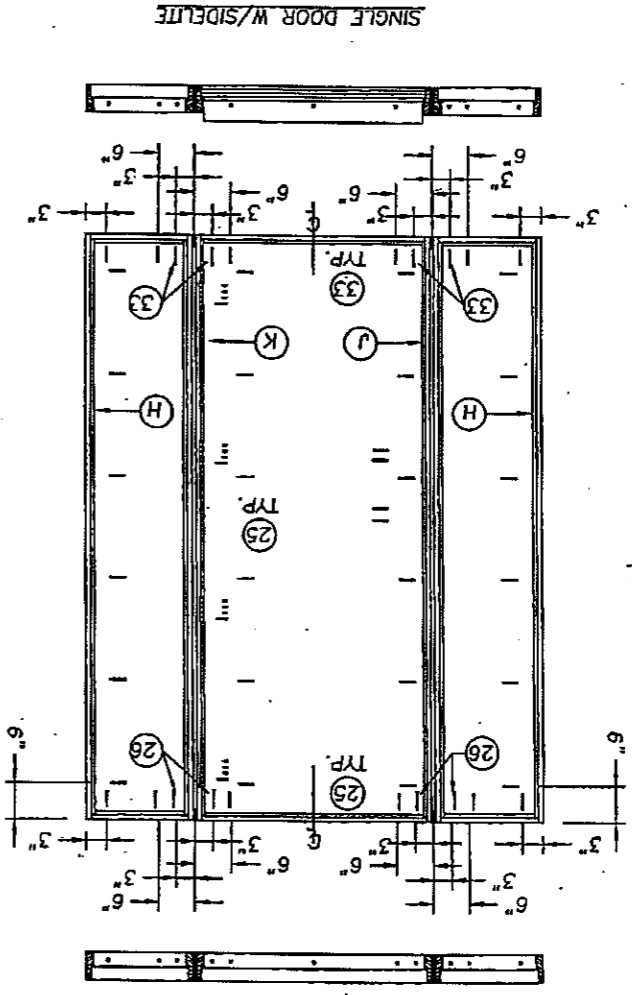
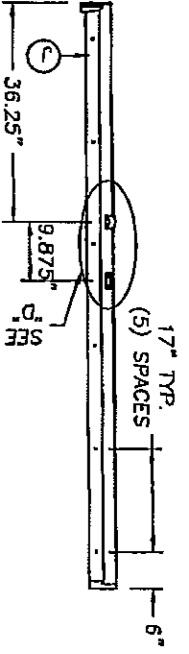
Approved as complying with the Florida Building Code  
 Date: **SEPT. 10, 2002**  
 NO. **02-0524.08**  
 Division  
 Metal Trade Product Control  
 By: *[Signature]*



SHEET 3 OF 8 5-2225 DRAWING NO.	
CHK. BY: RW DWG. BY: WLN	SCALE: N.T.S. DATE: 3/26/02
APPROVED AS COMPLYING WITH THE Florida Building Code Date: 07-05-02 NO. 07-05-02 Division Miami Code Product Control By: <i>[Signature]</i>	
BUILDING CONSULTANTS, INC. 813.684.3831	
NO. 1 DATE: 7/9/02	GENERAL REVISION WLN BY
REVISIONS:	
PRODUCT: STILE & RAIL 6/8 OR 8/0 GLAZED WOOD DOOR OUT-SWING UNIT PART OR ASSEMBLY: HORIZONTAL CROSS SECTION	
MOULDING ASSOCIATES INCORPORATED 933 HENSLEY LANE WYLE, TX 75098 PHONE: 800.394.6680	







Approved as complying with the Florida Building Code  
 Date: **SEPT 12, 2002**  
 NOAH DE-OSSE, DB  
 Division  
 Minimal Data Product Control  
 By: *Michael De...*  
 S-2225  
 DRAWING NO.

DATE: 3/26/02  
 SCALE: N.T.S.  
 DWG. BY: WLN  
 CHK. BY: RW  
 SHEET 5 OF 9

**RW** BUILDING CONSULTANTS, INC.  
 813.684.3831

NO.	DATE	REVISIONS	WLN BY
1	7/9/02	GENERAL REVISION	

PRODUCT: STILE & RAIL  
 6'8" OR 8'0" GLAZED  
 WOOD DOOR OUT-SWING UNIT  
 PART OR ASSEMBLY:  
 ANCHORING LOCATIONS

**MOULDING ASSOCIATES**  
 933 HENSLEY LANE  
 WYLLIE, TX 75098  
 PHONE: 800.394.6680

SHEET 6 OF 9  
 DRAWING NO. S-2225  
 CHK. BY: RW  
 DWG. BY: WLN  
 SCALE: N.T.S.  
 DATE: 3/26/02

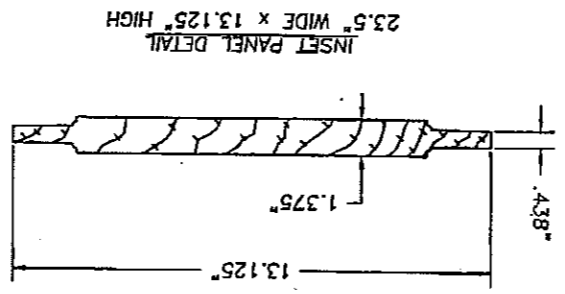
Approved as complying with the Florida Building Code  
 Date: 02-05-02  
 NOVA  
 Miami Trade Product Control Division  
 By: *[Signature]*

813.684.3831  
 BUILDING CONSULTANTS, INC.  
*[Signature]*

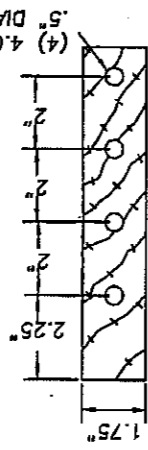
NO.	DATE	REVISIONS
1	7/9/02	GENERAL REVISION

PRODUCT:  
 STILE & RAIL  
 6'8" OR 8'0" GLAZED  
 WOOD DOOR OUT-SWING UNIT  
 PART OR ASSEMBLY:  
 3/4 LITE DOOR  
 STILE & RAIL DETAIL

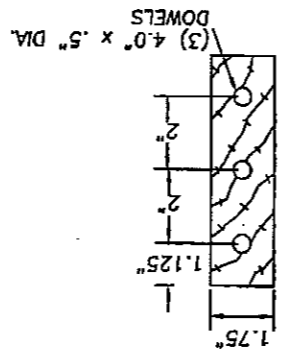
MOULDING ASSOCIATES INCORPORATED  
 933 HENSLEY LANE  
 WYUJE, TX 75098  
 PHONE: 800.394.6680



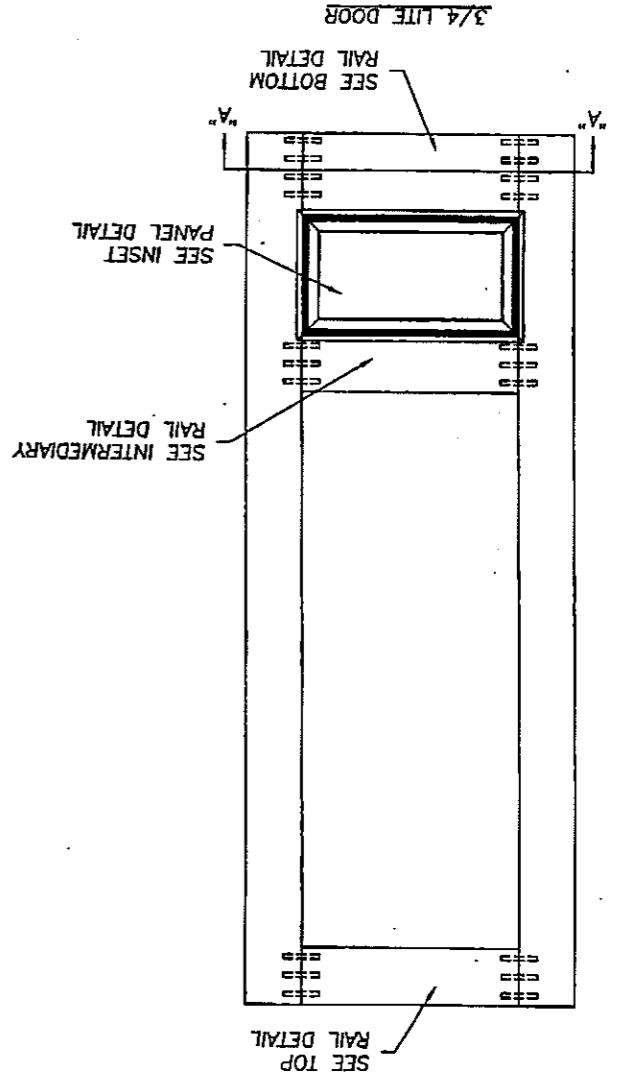
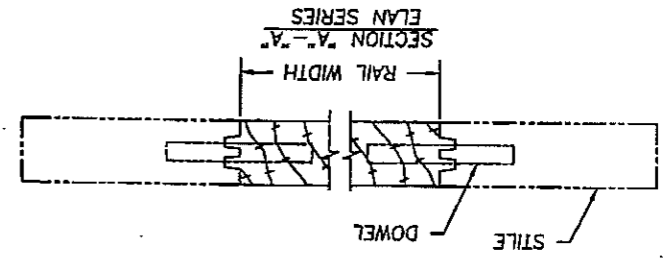
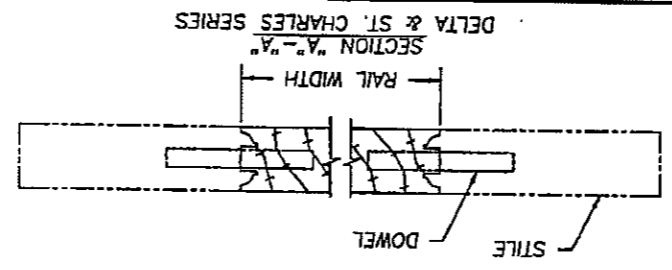
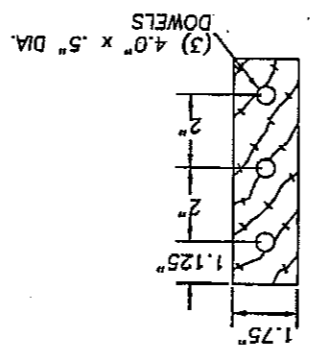
BOTTOM RAIL DETAIL  
 23.75" WIDE x 9.0625" HIGH



INTERMEDIARY RAIL DETAIL  
 23.75" WIDE x 6.25" HIGH

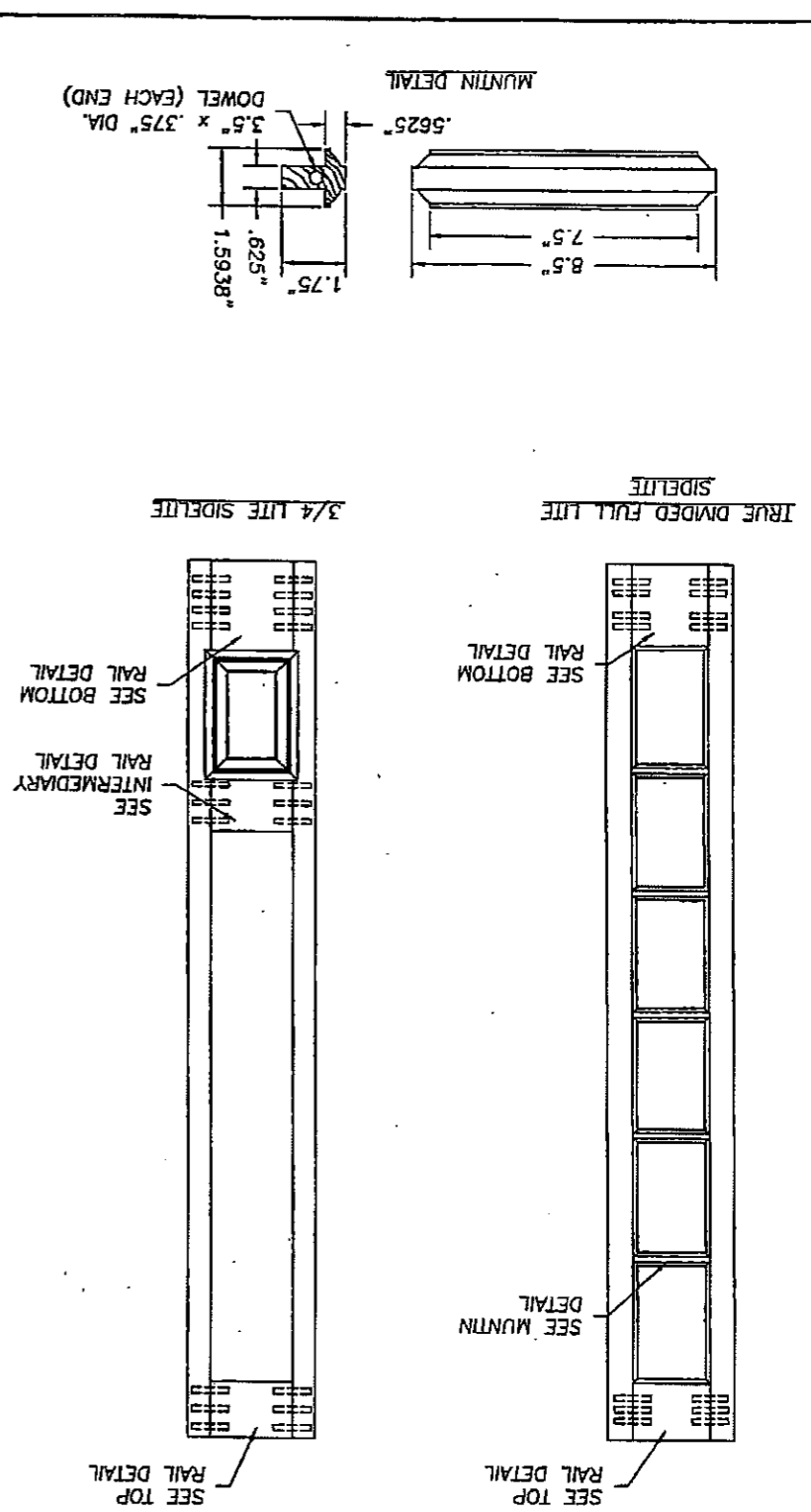
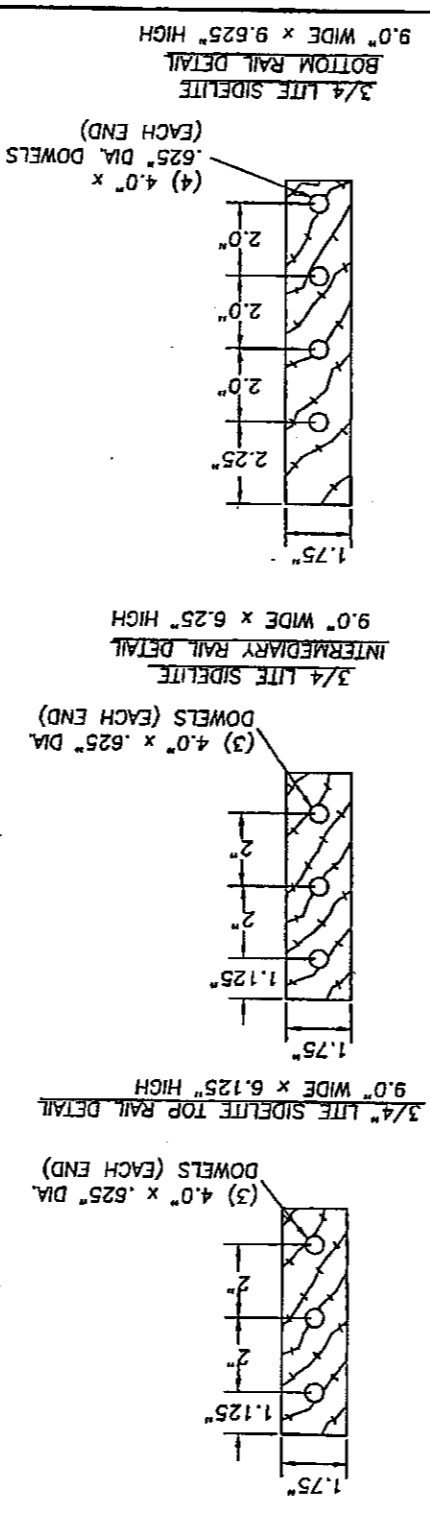
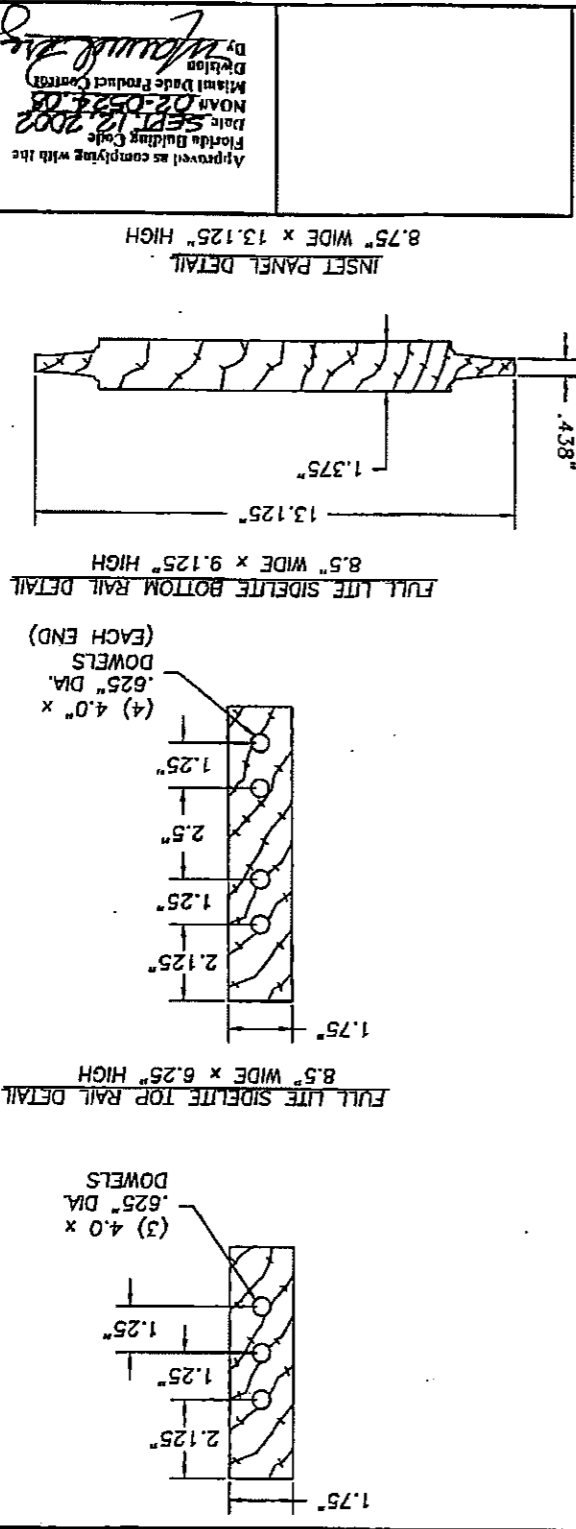


TOP RAIL DETAIL  
 23.75" WIDE x 6.125" HIGH

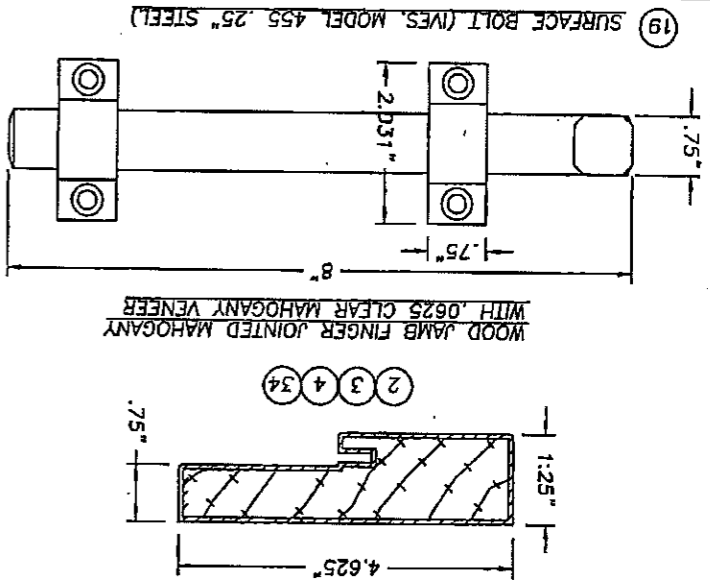




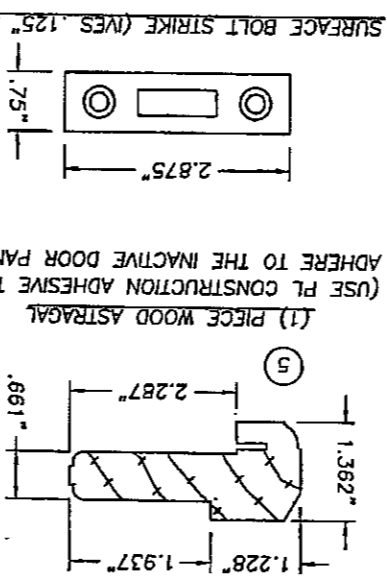
SHEET 8 OF 9 DRAWING NO. S-2225 CHK. BY: RW DWG. BY: WLN SCALE: N.T.S. DATE: 3/26/02		Approved as complying with the Florida Building Code Date: <b>SEP 12, 2002</b> Name: <b>02-0524-08</b> Miami Trade Product Controls Division By: <i>[Signature]</i>
BUILDING CONSULTANTS, INC. 813.684.3831		
NO. 1 DATE: 7/10/02 REVISIONS:	GENERAL REVISION WLN BY	PRODUCT: STILE & RAIL 6"8 OR 8"0 GLAZED WOOD DOOR OUT-SWING UNIT PART OR ASSEMBLY: PART OR ASSEMBLY: SIDE/LITE STILE & RAIL DETAIL
MOULDING ASSOCIATES 933 HENSLEY LANE WYLE, TX 75098 PHONE: 800.394.6680		



ITEM	DESCRIPTION	MATERIAL
1	STYLE & RAIL 8-0 WOOD DOOR (MAHOAGANY & OAK)	WOOD
2	HEAD JAMB FINGER JOINED MAHOAGANY WITH .0625 CLEAR MAHOAGANY VENEER	MAHOAGANY
3	HINGE JAMB FINGER JOINED MAHOAGANY WITH .0625 CLEAR MAHOAGANY VENEER	MAHOAGANY
4	SHOULDER BAMP JAMB FINGER JOINED MAHOAGANY WITH .0625 CLEAR MAHOAGANY VENEER	MAHOAGANY
5	1 PIECE WOOD ASTRAGAL	WOOD
6	OUTSWINGING HIGH DAM BUMPS THRESHOLD BY IMPERIAL .051" ALUM.	ALUM.
7	NOT USED	-
8	4" X 4" BUTT RADIUS HINGE	-
9	ENDURA FORCE 5 COMPRESSION WEATHERSTRIPPING	STEEL
10	SILICON CAULK	FOAM
11	PL CONSTRUCTION ADHESIVE	SILICONE
12	NOT USED	-
13	2x INNER WOOD TEST BUCK	WOOD
14	MAX. 1/4" SHIM MATERIAL	WOOD
15	KWIKSET TITAN SERRES LATCH BOLT (ANSI GRADE II)	-
16	KWIKSET TITAN SERRES DEAD BOLT (ANSI GRADE II)	-
17	SCHLAGE ULTIMA SERRES LATCH BOLT (ANSI GRADE II)	-
18	SCHLAGE ULTIMA SERRES DEAD BOLT (ANSI GRADE II)	-
19	MES NO. 454 SURFACE BOLT	STEEL
20	NOT USED	-
21	NOT USED	-
22	5/8" INSULATED GLASS	GLASS
23	3/4" INSULATED GLASS	GLASS
24	10-24 S&B BOLT	STEEL
25	#8 X 2.5" PPH WOOD SCREW	STEEL
26	#10 X 3.0" PPH WOOD SCREW	STEEL
27	#10 X 1.0" PPH WOOD SCREW	STEEL
28	#10 X 2.0 PPH WOOD SCREW	STEEL
29	BRAD TRIM NAIL 1" L	STEEL
30	.6875" X 4.625" WOOD REINFORCEMENT	STEEL
31	#10 X .75" PPH WOOD SCREW	STEEL
32	#10 X 2.5" PPH WOOD SCREW	STEEL
33	3/16" TAPCON ANCHOR	STEEL
34	LATCH JAMB FINGER JOINED MAHOAGANY WITH .0625 CLEAR MAHOAGANY VENEER	MAHOAGANY

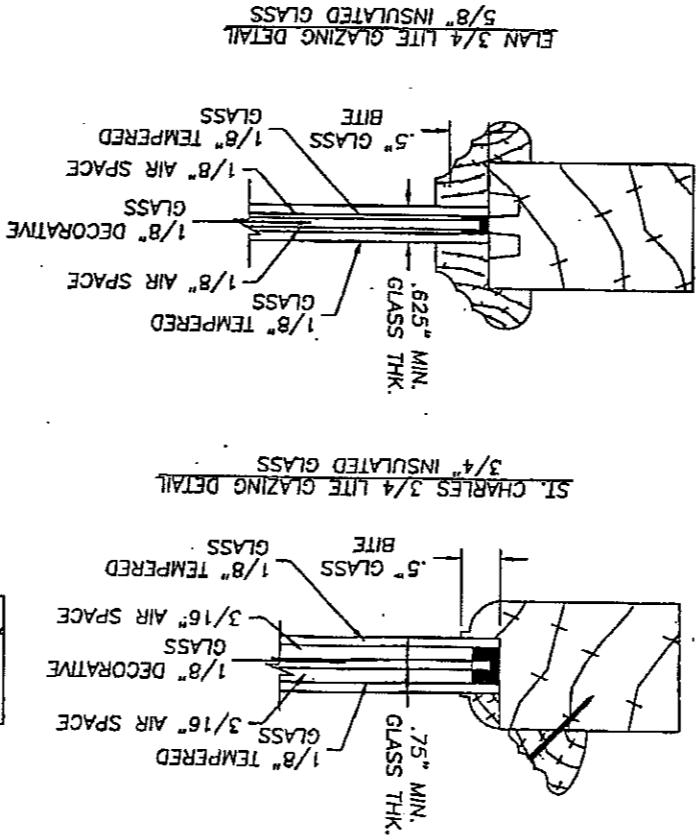


WOOD JAMB FINGER JOINED MAHOAGANY WITH .0625 CLEAR MAHOAGANY VENEER



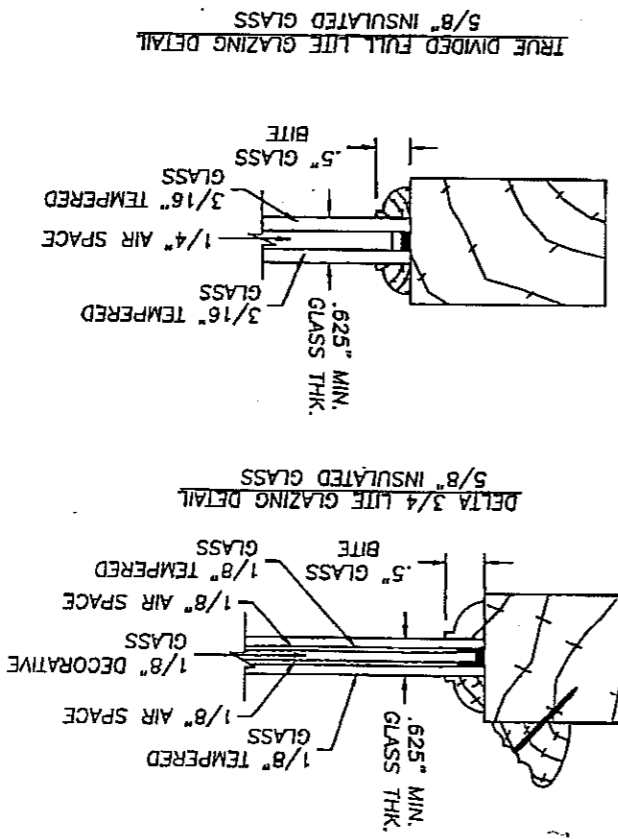
(1) PIECE WOOD ASTRAGAL (USE PL CONSTRUCTION ADHESIVE TO ADHERE TO THE INACTIVE DOOR PANEL)

SURFACE BOLT STRIKE (VES. 125" STEEL)



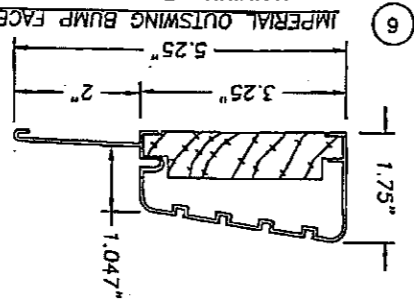
ST. CHARLES 3/4 LITE GLAZING DETAIL

ELAN 3/4 LITE GLAZING DETAIL



DELTA 3/4 LITE GLAZING DETAIL

TRUE DIVIDED FULL LITE GLAZING DETAIL



(6) IMPERIAL OUTSWINGING BUMPS FACE ALUMINUM THRESHOLD (ATTACH THRESHOLD TO JAMB WITH (2) #8 X 3\"/>

Approved as complying with the Florida Building Code  
 Date: **02-05-2002**  
 NOVA: **02-0524.08**  
 Miami Dade Product Control  
 Division  
 By: *[Signature]*

DATE: 3/26/02  
 SCALE: N.T.S.  
 DWG. BY: WLN  
 CHK. BY: RW  
 DRAWING NO.: S-2225  
 SHEET 9 OF 9

CONSULTANTS, INC.  
 BUILDING  
 813.684.3831

NO.	DATE	REVISIONS
1	7/9/02	GENERAL REVISION

PRODUCT: STYLE & RAIL 8-0 OR 8-0 GLAZED WOOD DOOR OUT-SWINGING UNIT  
 PART OR ASSEMBLY: UNIT COMPONENTS, BILL OF MATERIAL & GLAZING DETAILS

WOODS ASSOCIATES INCORPORATED  
 933 HENSLEY LANE  
 WYLLIE, TX 75098  
 PHONE: 800.394.6680